

YTONG External Wall Panels

YTONG External Wall Panels are designed especially for use as external walls, in-fill panels, facades or cladding. Due to YTONG's high thermal insulating properties, considerable energy is saved from reduced air-conditioning. In addition, plain or patterned YTONG panel can provide an attractive external appearance for a building. In fact, this is one of its prime applications in Japan due to its attractiveness and trend towards simplicity. All the panels are factory-made under the most stringent quality controls, which cover all aspects of production and performance. The panels are generally designed to span vertically between two floors or horizontally between two columns or shear wall. They are especially suitable for use as external walls, in-fill panels, facades or cladding.



Reinforcement

The amount of reinforcement required is determined by the span, panel thickness and loading conditions. All types of external wall panels are load tested and fully comply with the stipulations of the building (construction) regulation. All reinforcement meshes comply with the British Standard (BS 4482 & BS 4483).



External surface finishing

The coating on YTONG Panel can prevent rain water penetration through the panel and also provide a high degree of vapor permeability. Superior results can be achieved due to its:

- good bonding strength;
- high ultra-violet light resistance;
- weather resistance; and
- good elasticity.



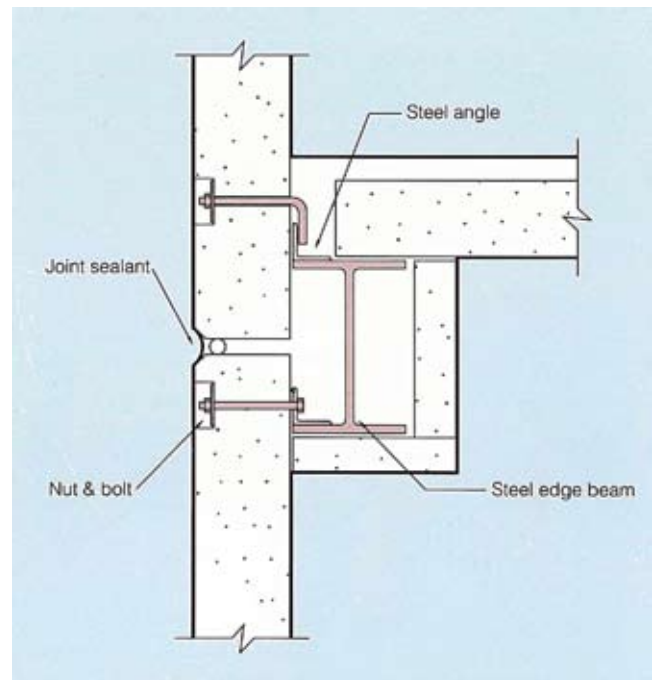
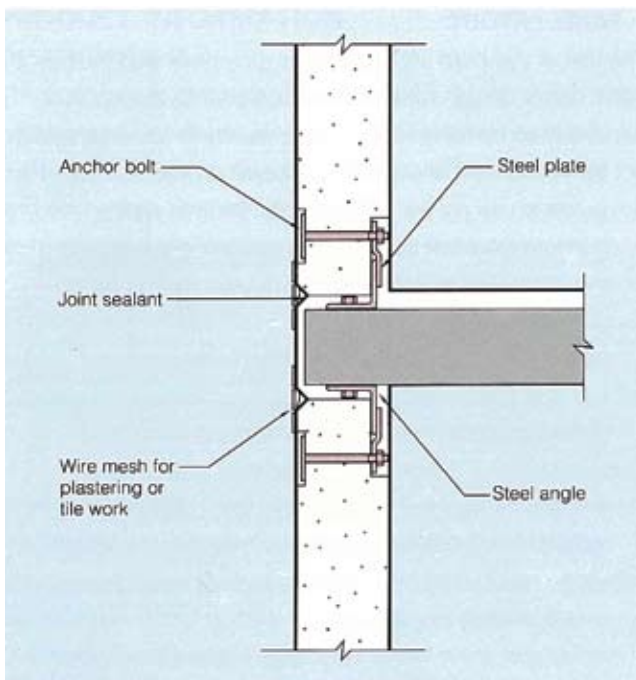
Product Data

Product	Standard Dimensions		
	Length (mm)	Width (mm)	Thickness (mm)
YTONG External Wall Panel	3000 ± 3	600 ± 1.5	150 ± 1.5

Technical Data

Density (Dry Weight)	Shrinkage	Compressive Strength	Thermal Conductivity	Fire Resistance Period
600 kg/m ³ ± 50	0.05%	5.0MPa ± 0.5	0.16W/m K	120 min.

Typical Drawing



JETWAY BUILDING MATERIAL LIMITED
 Unit A, 18/F Galaxy Factory Building
 No.25 Luk Hop Street, San Po Kong
 Kowloon, Hong Kong
 Tel : +852- 3460 4340
 Fax: +852- 3460 4341
 Email: info@jetway-bm.com
 Website: www.xella.com www.ytong.cn

